

For 100 years with
"Bringing valuable water to you"

Reinforced Resin Waste water drainage pump

WUP4 WUO (4) series



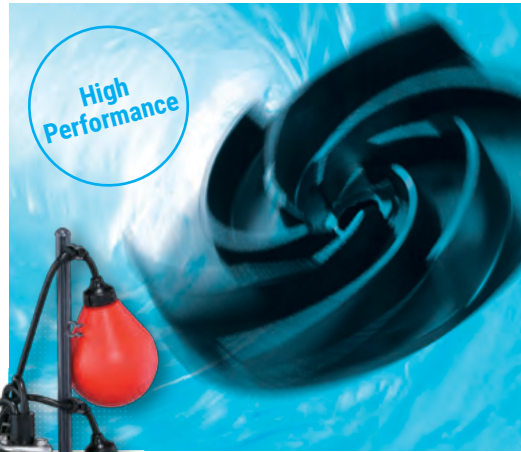
Long machine life

High performance
Impeller

Reliable
protective function

Japanese Public Building
Association evaluated model

Ver.1.3



New Kawapet debut with
Light weight, Long life, Powerful,
and easier handling

NEW KAWAPET SERIES

NEW KAWAPET SERIES

Easy handling

1

Long life (contact-less relay)

Contact-less relay is equipped only in the models less than 3ph 220V 0.75kW or less. Over 0.75kW models, 3-ph 380/400/415 V or 1-ph 220/230/240 V models don't equip contact-less relay.

First in the industry! All contact-less structure brings approx. **6** times longer life time of electric parts in Automatic operation models.

● Contact-less printed control board

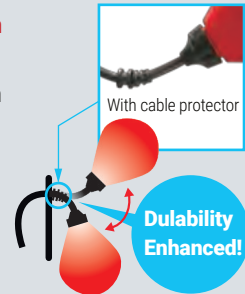
Changed from Relay to TRIAC

Lowered failure risk on electric parts



● Contact-less Float switch

Changed from Lead switch to whole IC in float switch, as well as enhanced flexural strength of cable. Wire strength become **twice**.



For sump
WUP4 series

※ Picture shows WUP4-LN model



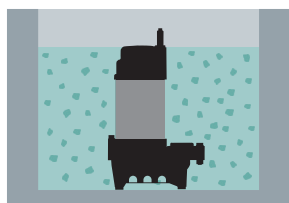
For sewage
WUO(4) series

※ Picture shows WUO-LN model



WUP(4)

For sump



High efficiency and dynamic drainage

Low residual water

One action position-variable float switch

Evaluated by Japanese public building assoc.

※ 50mm only

● Object passability

Unit: mm

Bore	32	40	50
Size of object	14	14	20

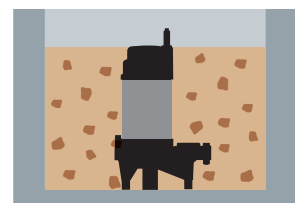
Variants

- WUP4 : Manual operation
- WUP4-L : Automatic operation
- WUP4-LN : Automatic alternate/parallel operation



WUO(4)

For sewage



Hardly clog and large object passage with strainer-less structure

Large object passage

One action position-variable float switch

● Object passability

Unit: mm

Bore	40	50	65	80
Size of object	35	35	35※	40

※ 40mm in 2.2kW model

Variants

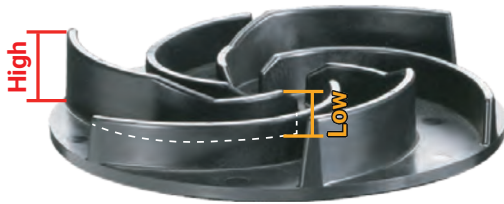
- WUO(4) : Manual operation
- WUO(4)-L : Automatic operation
- WUO(4)-LN : Automatic alternate/parallel operation

Easy handling

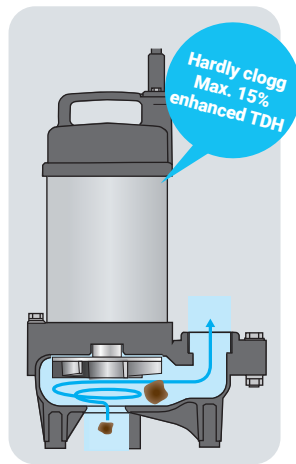
2

High performance Impeller

High blade impeller (PAT.) brings high performance and a large object passage.



Forming a part of blades high makes dynamic flow.



Easy handling

3

Reliable protective function



Float switches become easy to adjust position.

※ The position of stop float is un-adjustable.

The lowest operation level become 10mm lower than previous model. (please refer to the list in later pages for actual level.)



- Built in Auto-cut prevents over load and motor burning.
- Double mechanical seal stops water immerge to motor.
- Light weight and shock-resistant resin material

Standard specification

Liquid	Quality	WUP4	WUO(4)
		Sump water including some solid (pH5~9)	Sewage water (pH5~9)
	Temp.	0~40 C. degree	
Material	Impeller Shaft Casing	Resin SUS304 (contacting liquid portion) Resin	
Max. depth of pump installation		5m	5m (0.75kW or less) 8m (1.5kW or more)
Motor	Type	Dry-sealed submersible motor	
	Power supply	Single ph.: 220/230/240 (0.75kW or less) Three ph.: 380/400/415 50Hz, 220/380/400/440 60Hz	
	Output	0.15~0.75kW	0.15~3.7kW
	Speed	50Hz: 3,000min ⁻¹ , 60Hz: 3,600min ⁻¹	
Structure	Impeller	Vortex	
	Shaft seal	Double mechanical seal Contacting liquid side: SiC x SiC Motor side: Ceramic x Carbone	
	Seald oil Bearing	Turbine oil Sealed ball bearing	
Connection	Exclusive flange 0.75kW or less: Rhombic 1.5kW or more: Square		

Variants

Cable extension	Single ph. Max. 20m, Three ph. Max. 40m
Oil type variant	Food additive oil

Optional accessory

● Control panel



ECDW

● Water level alarm



EBA

● Pedestal support



UJP

● Float switch



EHF5-1

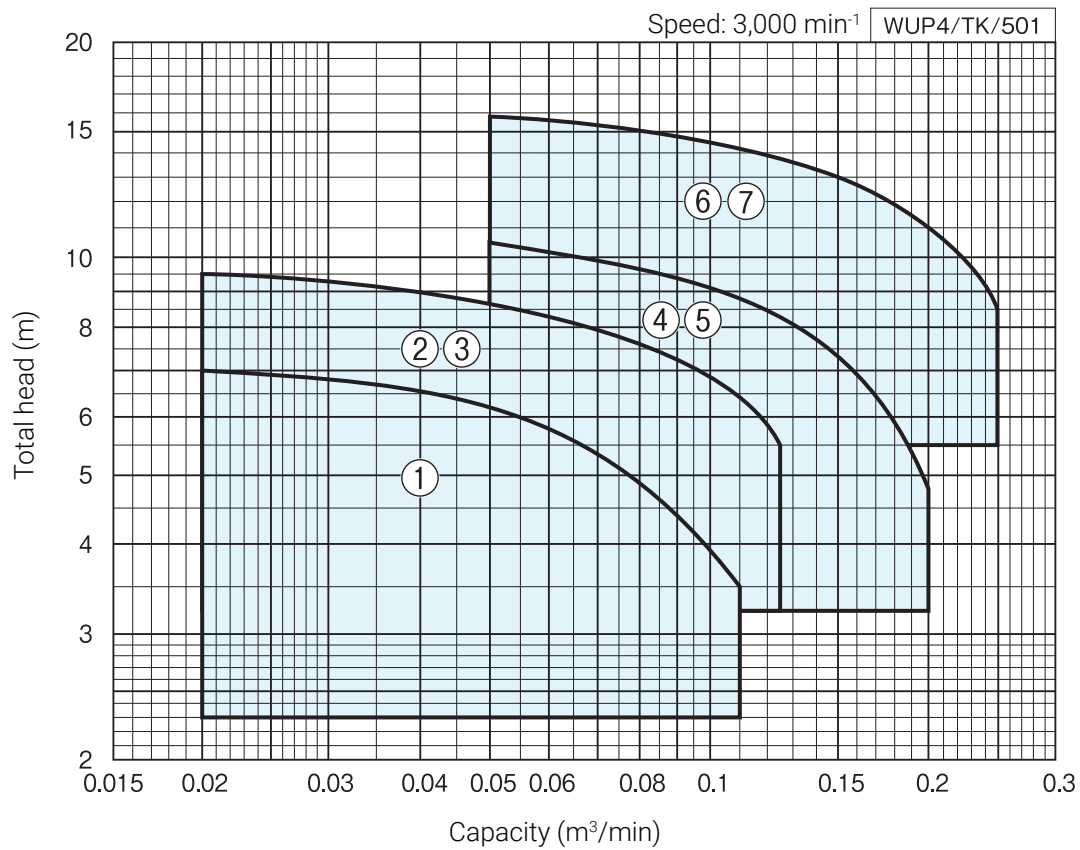


EHF5-4



EHFR-4

Selection chart



Specification table

Ref.	Bore	MODEL NAME			MOTOR		SPECIFICATION			
		Manual	Automatic	Automatic (Alternate/parallel)	ph.	kW	m ³ /min	m	m ³ /min	m
1	32	WUP4-325-0.15S2-F	WUP4-325-0.15S2L-F	WUP4-325-0.15S2LN	1	0.15	0.02	7	0.11	3.5
2	40	WUP4-405-0.25S2	WUP4-405-0.25S2L	WUP4-405-0.25S2LN	1	0.25	0.02	9.5	0.125	5.5
3	40	WUP4-405-0.25T4	WUP4-405-0.25T4L	WUP4-405-0.25T4LN	3	0.25	0.02	9.5	0.125	5.5
4	50	WUP4-505-0.4S2	WUP4-505-0.4S2L	WUP4-505-0.4S2LN	1	0.4	0.05	10.5	0.2	4.8
5	50	WUP4-505-0.4T4	WUP4-505-0.4T4L	WUP4-505-0.4T4LN	3	0.4	0.05	10.5	0.2	4.8
6	50	WUP4-505-0.75S2	WUP4-505-0.75S2L	WUP4-505-0.75S2LN	1	0.75	0.05	15.8	0.25	8.5
7	50	WUP4-505-0.75T4	WUP4-505-0.75T4L	WUP4-505-0.75T4LN	3	0.75	0.05	15.8	0.25	8.5

Nomenclature

WUP4-405-0.25SL

① ② ③ ④ ⑤ ⑥

① Series name

② Bore (mm)

③ Frequency (5: 50Hz, 6: 60Hz)

④ Motor (kW)

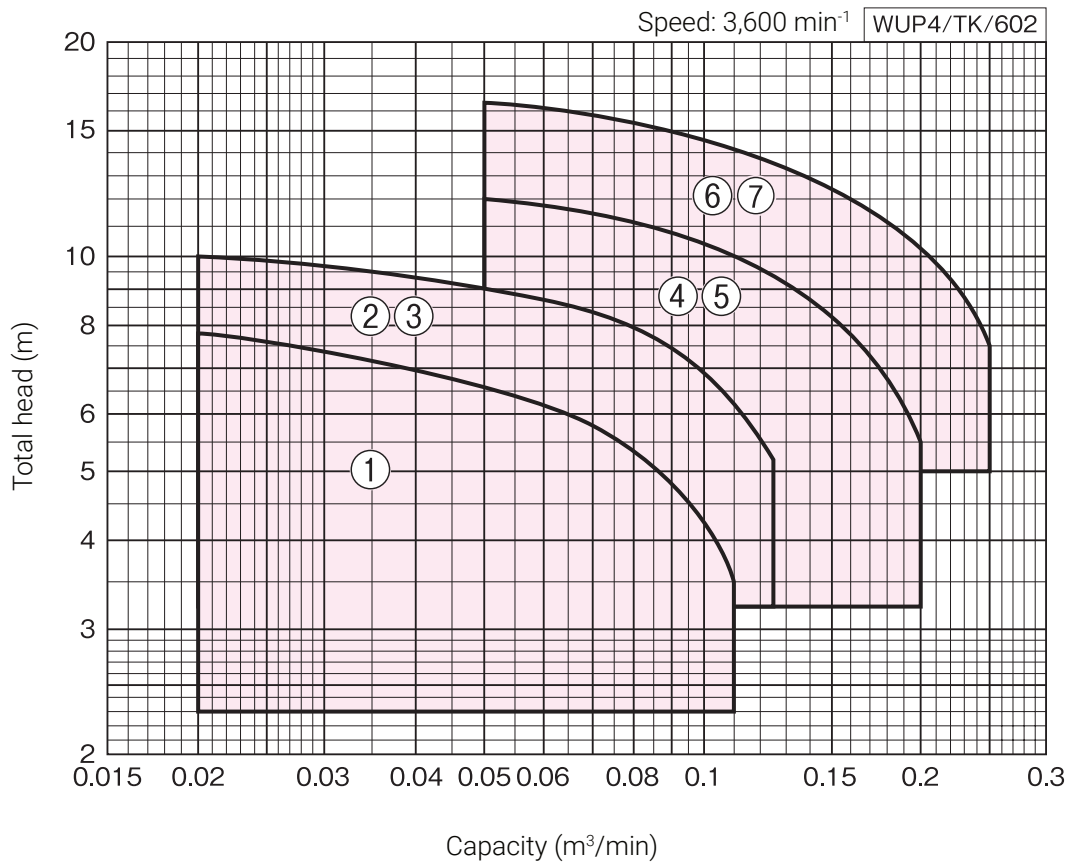
⑤ Power

S2: 1 Ph. 220/230/240
 T4: 3 Ph. 380/400/415 (50Hz)
 3 Ph. 380/400/440 (60Hz)
 T : 3 Ph. 220V (60Hz)

⑥ Operation

No Symbol: Manual
 L: Automatic
 LN: Automatic (Alternate/Parallel)

Selection chart



Specification table

Ref.	Bore	MODEL NAME			MOTOR		SPECIFICATION			
		Manual	Automatic	Automatic (Alternate/parallel)	ph.	kW	m ³ /min	m	m ³ /min	m
1	32	WUP4-326-0.15S2	WUP4-326-0.15S2L	WUP4-326-0.15S2LN	1	0.15	0.02	7.8	0.11	3.5
2	40	WUP4-406-0.25S2	WUP4-406-0.25S2L	WUP4-406-0.25S2LN	1	0.25	0.02	10	0.125	5.2
3	40	WUP4-406-0.25T4	WUP4-406-0.25T4L	WUP4-406-0.25T4LN	3	0.25	0.02	10	0.125	5.2
4	50	WUP4-506-0.4S2	WUP4-506-0.4S2L	WUP4-506-0.4S2LN	1	0.4	0.05	12	0.2	5.5
5	50	WUP4-506-0.4T4	WUP4-506-0.4T4L	WUP4-506-0.4T4LN	3	0.4	0.05	12	0.2	5.5
6	50	WUP4-506-0.75S2	WUP4-506-0.75S2L	WUP4-506-0.75S2LN	1	0.75	0.05	16.2	0.25	7.5
7	50	WUP4-506-0.75T4	WUP4-506-0.75T4L	WUP4-506-0.75T4LN	3	0.75	0.05	16.2	0.25	7.5

WUP4



Manual type

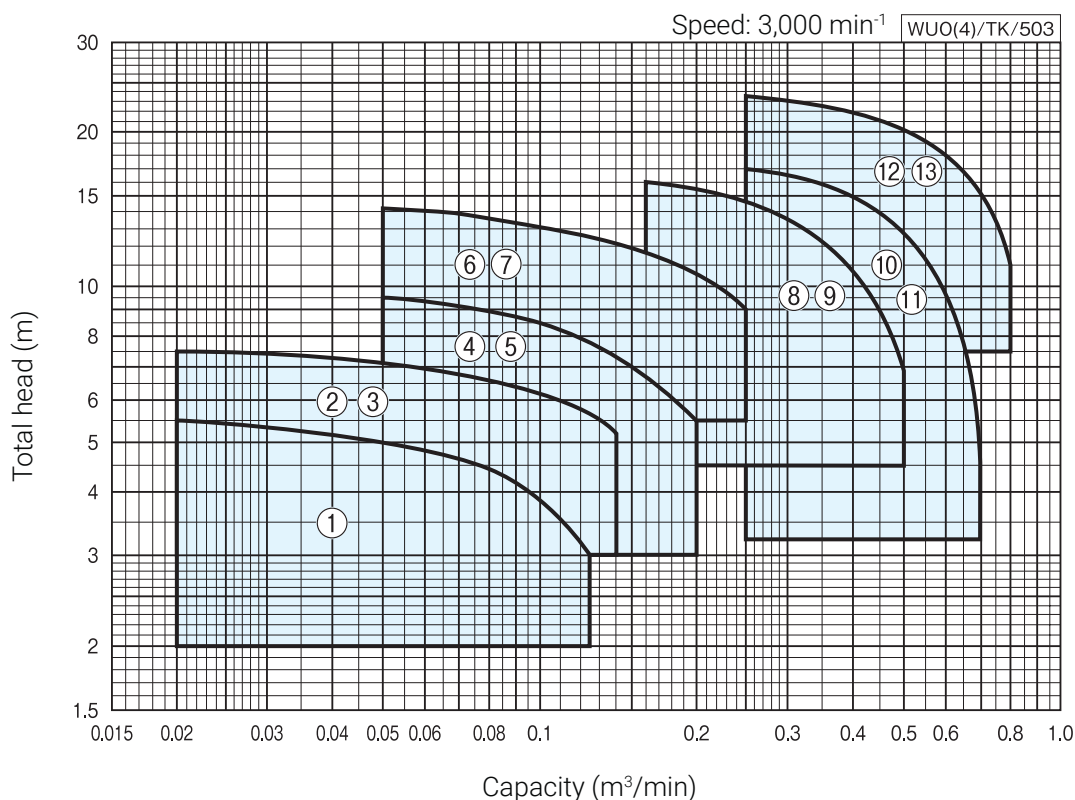


Automatic type



Automatic type
(alternate/parallel)

Selection chart



Specification table

Ref.	Bore	MODEL NAME			MOTOR		SPECIFICATION			
		Manual	Automatic	Automatic (Alternate/parallel)	ph.	kW	m ³ /min	m	m ³ /min	m
1	40	WUO4-405-0.15S2-F	WUO4-405-0.15S2L-F	WUO4-405-0.15S2LN-F	1	0.15	0.02	5.5	0.125	3
2	40	WUO4-405-0.25S2-F	WUO4-405-0.25S2L-F	WUO4-405-0.25S2LN-F	1	0.25	0.02	7.5	0.14	5.2
3	40	WUO4-405-0.25T4-F	WUO4-405-0.25T4L-F	WUO4-405-0.25T4LN-F	3	0.25	0.02	7.5	0.14	5.2
4	50	WUO4-505-0.4S2-F	WUO4-505-0.4S2L-F	WUO4-505-0.4S2LN-F	1	0.4	0.05	9.5	0.2	5.5
5	50	WUO4-505-0.4T4-F	WUO4-505-0.4T4L-F	WUO4-505-0.4T4LN-F	3	0.4	0.05	9.5	0.2	5.5
6	50	WUO4-505-0.75S2-F	WUO4-505-0.75S2L-F	WUO4-505-0.75S2LN-F	1	0.75	0.05	14.2	0.25	9
7	50	WUO4-505-0.75T4-F	WUO4-505-0.75T4L-F	WUO4-505-0.75T4LN-F	3	0.75	0.05	14.2	0.25	9
8	50	WUO-505-1.5T4-F *1	WUO-505-1.5T4L-F *1	WUO-505-1.5T4LN-F *1	3	1.5	0.16	16	0.5	6.8
9	65	WUO-655-1.5T4-F *1	WUO-655-1.5T4L-F *1	WUO-655-1.5T4LN-F *1	3	1.5	0.16	16	0.5	6.8
10	65	WUO-655-2.2T4-F *2	WUO-655-2.2T4L-F *2	WUO-655-2.2T4LN-F *2	3	2.2	0.25	17	0.7	4.8
11	65	WUO-655-3.7T4-F *3	WUO-655-3.7T4L-F *3	WUO-655-3.7T4LN-F *3	3	3.7	0.25	23.5	0.8	11.2
12	80	WUO-805-2.2T4-F *2	WUO-805-2.2T4L-F *2	WUO-805-2.2T4LN-F *2	3	2.2	0.25	17	0.7	4.8
13	80	WUO-805-3.7T4-F *3	WUO-805-3.7T4L-F *3	WUO-805-3.7T4LN-F *3	3	3.7	0.25	23.5	0.8	11.2

LN type is available for alternate/parallel operation when using together with L type.

Actual model names in above list with *1~*3 on nameplate are as follows:

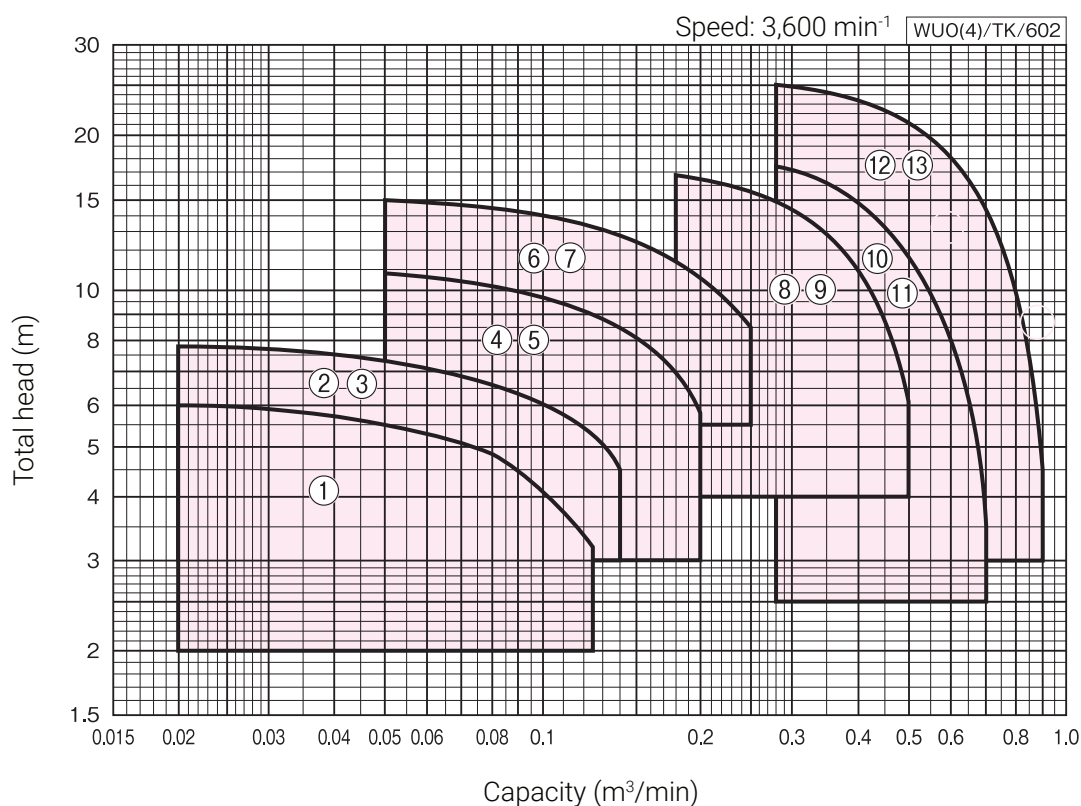
*1 WUO-505/655-1.5T4(L/LN)-F

*2 WUO-655/805-2.2T4(L/LN)-F

*3 WUO-655/805-3.7T4(L/LN)-F

Nomenclature		① Series name	⑤ Power	⑥ Operation
WUO (4) -405-0.15 SL		② Bore (mm)	{ S2: 1 Ph. 220/230/240 T4: 3 Ph. 380/400/415 (50Hz) 3 Ph. 380/400/440 (60Hz) T : 3 Ph. 220V (60Hz)	{ No Symbol: Manual L: Automatic LN: Automatic (Alternate/Parallel)
①	② ③ ④ ⑤ ⑥	③ Frequency (5: 50Hz, 6: 60Hz)		
		④ Motor (kW)		

Selection chart



Specification table

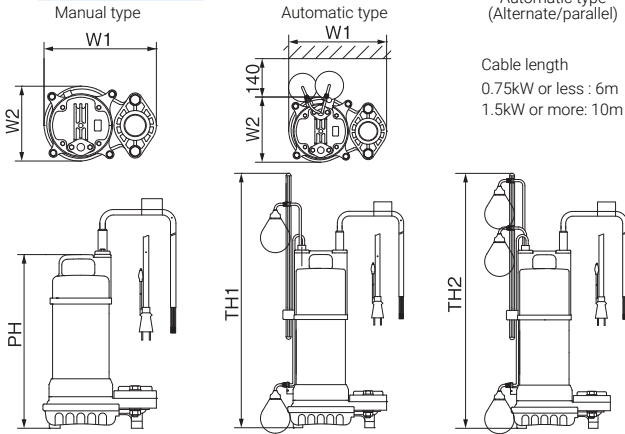
Ref.	Bore	MODEL NAME			MOTOR		SPECIFICATION			
		Manual	Automatic	Automatic (Alternate/parallel)	ph.	kW	m ³ /min	m	m ³ /min	m
1	40	WUO4-406-0.15S2-F	WUO4-406-0.15S2L-F	WUO4-406-0.15S2LN-F	1	0.15	0.02	6	0.125	3.2
2	40	WUO4-406-0.25S2-F	WUO4-406-0.25S2L-F	WUO4-406-0.25S2LN-F	1	0.25	0.02	7.8	0.14	4.5
3	40	WUO4-406-0.25T4-F	WUO4-406-0.25T4L-F	WUO4-406-0.25T4LN-F	3	0.25	0.02	7.8	0.14	4.5
4	50	WUO4-506-0.4S2-F	WUO4-506-0.4S2L-F	WUO4-506-0.4S2LN-F	1	0.4	0.05	10.8	0.2	5.8
5	50	WUO4-506-0.4T4-F	WUO4-506-0.4T4L-F	WUO4-506-0.4T4LN-F	3	0.4	0.05	10.8	0.2	5.8
6	50	WUO4-506-0.75S2-F	WUO4-506-0.75S2L-F	WUO4-506-0.75S2LN-F	1	0.75	0.05	15	0.25	8.5
7	50	WUO4-506-0.75T4-F	WUO4-506-0.75T4L-F	WUO4-506-0.75T4LN-F	3	0.75	0.05	15	0.25	8.5
8	50	WUO-506-1.5T4-F *1	WUO-506-1.5T4L-F *1	WUO-506-1.5T4LN-F *1	3	1.5	0.18	16.8	0.5	6
9	65	WUO-656-1.5T4-F *1	WUO-656-1.5T4L-F *1	WUO-656-1.5T4LN-F *1	3	1.5	0.18	16.8	0.5	6
10	65	WUO-656-2.2T4-F *2	WUO-656-2.2T4L-F *2	WUO-656-2.2T4LN-F *2	3	2.2	0.28	17.5	0.7	3.8
11	65	WUO-656-3.7T4-F *3	WUO-656-3.7T4L-F *3	WUO-656-3.7T4LN-F *3	3	3.7	0.28	25	0.9	4.5
12	80	WUO-806-2.2T4-F *2	WUO-806-2.2T4L-F *2	WUO-806-2.2T4LN-F *2	3	2.2	0.28	17.5	0.7	3.8
13	80	WUO-806-3.7T4-F *3	WUO-806-3.7T4L-F *3	WUO-806-3.7T4LN-F *3	3	3.7	0.28	25	0.9	4.5

LN type is available for alternate/parallel operation when using together with L type.

Actual model name of models in above list with *1~*3 on nameplate are as follows:

*1 WUO-506/656-1.5T4(L/LN)-F *2 WUO-656/806-2.2T4(L/LN)-F *3 WUO-656/806-3.7T4(L/LN)-F

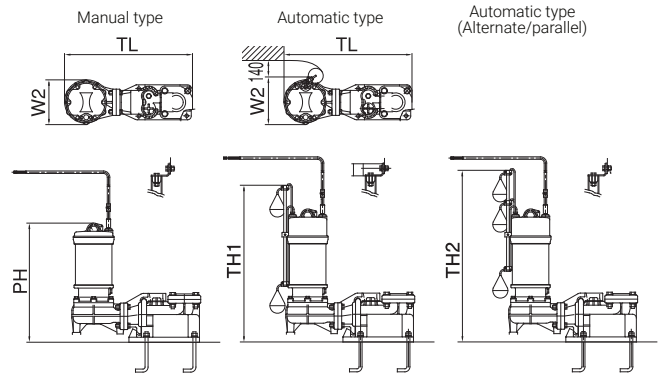
Floor mount type



Series	Bore	Model	PH	TH1	TH2	W1	W2
WUO	40	WUO4-405/6-0.15S2L(LN)-F	414	579	579	207	138
WUO	40	WUO4-405/6-0.25S2L(LN)-F	424	579	579	207	138
WUO	40	WUO4-405/6-0.25T4(LN)-F	414	564	564	207	138
WUO	50	WUO4-505/6-0.4S2L(LN)-F	406	568	568	232	165
WUO	50	WUO4-505/6-0.4T4(LN)-F	391	548	548	232	165
WUO	50	WUO4-505/6-0.75S2L(LN)-F	430	568	568	232	165
WUO	50	WUO4-505/6-0.75T4(LN)-F	411	568	568	232	165
WUO	50	WUO-505/6-1.5T4L(LN)-F	497	600	660	362	191
WUO	65	WUO-655/6-1.5T4L(LN)-F	497	600	660	362	191
WUO	65	WUO-655/6-2.2T4L(LN)-F	549	750	810	372	216
WUO	65	WUO-655/6-3.7T4L(LN)-F	586	750	810	372	216
WUO	80	WUO-805/6-2.2T4L(LN)-F	549	750	810	372	216
WUO	80	WUO-805/6-3.7T4L(LN)-F	586	750	810	372	216

Series	Bore	Model	PH	TH1	TH2	W1	W2
WUP	32	WUP4-325/6-0.15S2-F	320	-	-	210	143
WUP	40	WUP4-405/6-0.25S2	330	-	-	210	143
WUP	40	WUP4-405/6-0.25T4	320	-	-	210	143
WUP	50	WUP4-505/6-0.4T4	354	-	-	234	170
WUP	50	WUP4-505/6-0.4T4	339	-	-	234	170
WUP	50	WUP4-505/6-0.75S2	378	-	-	234	170
WUP	50	WUP4-505/6-0.75T4	359	-	-	234	170
WUP	32	WUP4-325/6-0.15S2L(LN)-F	374	539	539	210	143
WUP	40	WUP4-405/6-0.25S2L(LN)	384	539	539	210	143
WUP	40	WUP4-405/6-0.25T4L(LN)	374	524	524	210	143
WUP	50	WUP4-505/6-0.4S2L(LN)	376	538	538	234	170
WUP	50	WUP4-505/6-0.4T4L(LN)	361	518	518	234	170
WUP	50	WUP4-505/6-0.75S2L(LN)	400	538	538	234	170
WUP	50	WUP4-505/6-0.75T4L(LN)	381	538	538	234	170
WUO	40	WUO4-405/6-0.15S2-F	360	-	-	207	138
WUO	40	WUO4-405/6-0.25S2-F	370	-	-	207	138
WUO	40	WUO4-405/6-0.25T4-F	360	-	-	207	138
WUO	50	WUO4-505/6-0.4S2-F	384	-	-	232	165
WUO	50	WUO4-505/6-0.4T4-F	369	-	-	232	165
WUO	50	WUO4-505/6-0.75S2-F	408	-	-	232	165
WUO	50	WUO4-505/6-0.75T4-F	389	-	-	232	165
WUO	50	WUO-505/6-1.5T4-F	442	-	-	362	179
WUO	65	WUO-655/6-1.5T4-F	442	-	-	362	179
WUO	65	WUO-655/6-2.2T4-F	514	-	-	372	216
WUO	65	WUO-655/6-3.7T4-F	551	-	-	372	216
WUO	80	WUO-805/6-2.2T4-F	514	-	-	372	216
WUO	80	WUO-805/6-3.7T4-F	551	-	-	372	216

Pedestal support type



Series	Bore	Model	PH	TH1	TH2	W1	W2
WUO	50	WUO-505/6-1.5T4-F	473	-	-	512	179
WUO	65	WUO-655/6-1.5T4-F	473	-	-	512	179
WUO	65	WUO-655/6-2.2T4-F	540	-	-	552	216
WUO	65	WUO-655/6-3.7T4-F	577	-	-	552	216
WUO	80	WUO-805/6-2.2T4-F	540	-	-	552	216
WUO	80	WUO-805/6-3.7T4-F	577	-	-	552	216
WUO	50	WUO-505/6-1.5T4L(LN)-F	528	630	690	512	191
WUO	65	WUO-655/6-1.5T4L(LN)-F	528	630	690	512	191
WUO	65	WUO-655/6-2.2T4L(LN)-F	575	776	836	552	216
WUO	65	WUO-655/6-3.7T4L(LN)-F	612	776	836	552	216
WUO	80	WUO-805/6-2.2T4L(LN)-F	575	776	836	552	216
WUO	80	WUO-805/6-3.7T4L(LN)-F	612	776	836	552	216



Important Safety Precautions

Always read the manual thoroughly and fully comprehend the contents for safe operation before starting use. Precautions for using products safely and for preventing personal injuries or physical damage are given in the manual. ※We bear no responsibility when the above listed precautions are not observed.

- Matters falling under the following may not be covered by the warranty: uses out of the specified scope of application, failure to comply with precautions, improper repairs and alterations, matters arising from natural disasters, matters arising from the installation environment (improper power source, foreign objects, sand etc.), non-compliance with laws and regulations or standards pertaining thereto, accidental or intentional damage or injury, replacement of consumable parts, defects due to resale, etc.
- Do not use the product for applications out of the product specifications. Doing so may cause electrical shock, fire, liquid leakage, etc.
- Close attention is needed when rusting, corrosion/erosion are not permissible owing to the application or liquid properties.
- Take into account both the pump and the rest of the equipment when considering and selecting.
- Select a product which is appropriate for your application. Inappropriate use of products may cause accidents.
- When using this pump for living things (fishery, fish tank, aquarium, etc.) or important equipment, always prepare a spare unit. If the pump fails, an oxygen deficiency or degradation of water quality, etc., could occur and affect the creature's life.
- If used to transport food-related items, give due consideration to the materials used. Contamination by foreign objects may occur.
- Avoid using this product with living things that are susceptible to copper alloys.

The life of the creature could be affected.

- Conduct construction in accordance with the applicable laws and regulations (the Technical Standards of Electric Installation, interior wiring regulation, Building Standards Act, etc.). Not only does it violate the laws and regulations, but it also may cause injuries due to electric shock, fire, falling and tipping over.
- Do not use in places where people are assumed to get in contact with the product (baths, pools, lakes, etc.). Electric leak may occur and cause electric shock.
- Depending on the equipment, attach a filter etc. appropriate for your application on the discharge side before use, perform thorough flushing and check that there is no contamination. Cutting oil, rubber mold releasing agent, foreign objects etc. from the manufacturing line and cutting oil, foreign objects etc. from the pipeline may contaminate the liquid which is to be handled.
- Do not operate pumps with a specification of 50 Hz at 60 Hz. Damage may arise as a result of excess pressure or burnout of the motor etc. due to overload.
- The Pump should never be disassembled, repaired, or modified, or the power cable should never be replaced by anyone other than a qualified repair technician. Improper repairs could result in electric shocks, fires, faults or break. It is recommended that both periodic and daily inspections be performed in order to ensure that the pump will operate reliably for as long as possible.
- Failure to perform inspections may lead to pump failure, accidents etc.
- For periodic inspections, please consult your distributor or our nearest sales office.

Kawamoto Pump MFG. CO., LTD.

Overseas Sales & Marketing Section
11-39, Osu 4-Chome, Naka-ku, Nagoya 460-8650, JAPAN

TEL: +81-52-251-7173 FAX: +81-52-747-5500
E-mail: kawamotobo@kawamoto-oms.com
http://www.kawamoto-global.com

For any question about pumps, please contact your nearest distributor

Resin submersible pump	
No.	8818YE